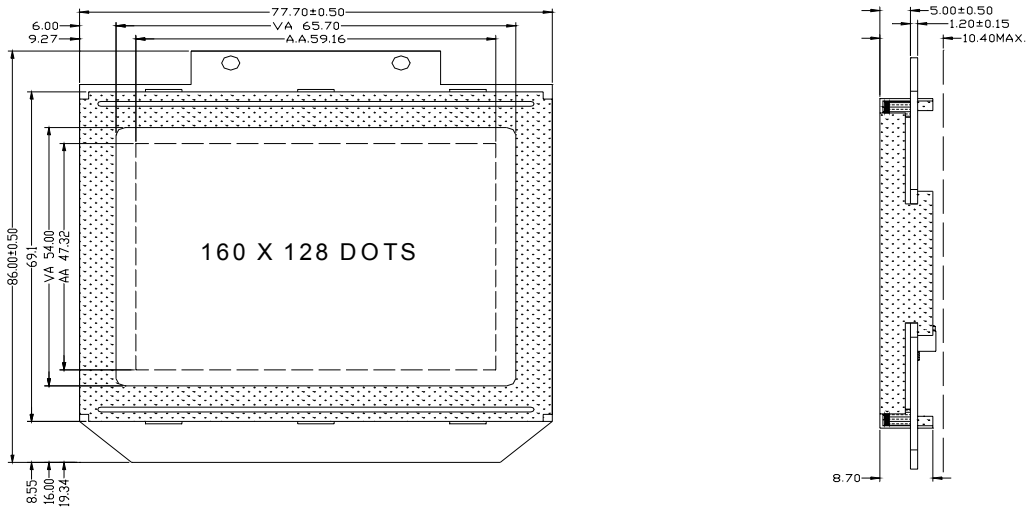


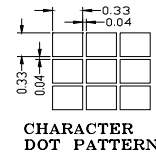


*LCM Module EMBG160128A Series*

**6. PHYSICAL DIMENSION**



- Note
1. All dimension are in mm
  2. Glass thickness: Front--1.10 Back--1.10
  3. Duty: 1/128; Bias: 1/12.3; Vop: 17V
  4. FSTN Positive Transflective
  5. Connector: Zebra and HSC
  6. Operating Temperature: 0 -- 50deg  
Storage Temperature: -20deg~+70deg;
  7. Viewing direction: 6 o'clock.
  8. Module type: COB
  9. EL Backlight: White



**7..MECHANICAL DATA**

ITEM	SPECIFICATION	UNIT
Module Size(W*H*T)	77.7×86.0×10.4	mm
View Area(W*H)	65.7×54.0	mm
Active Area(W*H)	59.16×47.32	mm
Number of Graph	160×128	dots
Dot Pitch(W*H)	0.37×0.37	mm
Dot Size(W*H)	0.33×0.33	mm

**8 .PIN CONFIGURATION**

ITEN	SYMBOL	DESCRIPTION
1	EL-	Cathode of EL Backlight
2	NC	No connection
3	EL+	Anode of EL Backlight
4	NC	No connection
5	VSS	Ground(0V)
6	VSS	Ground(0V)
7	R4R	Reserve for customer contrast control
8	VSS	Ground(0V)
9	FLM	First line marker
10	CL1	Display data latch signal for lcd driver
11	CL2	Display data shift clock for lcd driver
12	M	Signal for converting lcd driving signal into AC
13	VDD	Power supply (5V)
14	VSS	Ground(0V)
15	VSS	Ground(0V)
16	R1	Reserve for customer contrast control
17	D0	Data bus
18	D1	Data bus
19	D2	Data bus
20	D3	Data bus
21	R4L	Reserve for customer contrast control
22	G	Reserve for customer contrast control
23	Vss	Ground(0V)
24	R5	Reserve for customer contrast control
25	Vss	Ground(0V)